

# SWITCH MODE POWER SUPPLY

PS12-1A

## APPLICATIONS

Robotics

---

Automation Panel

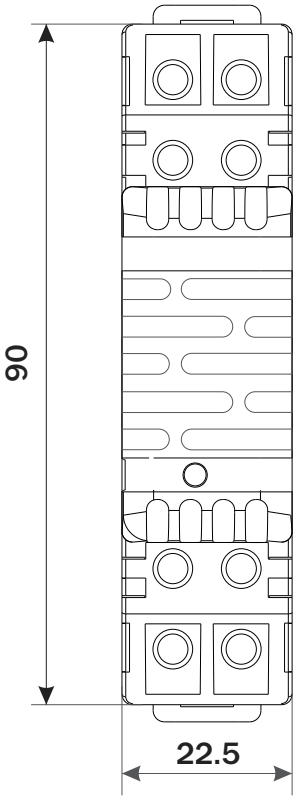
---

Elevators

---

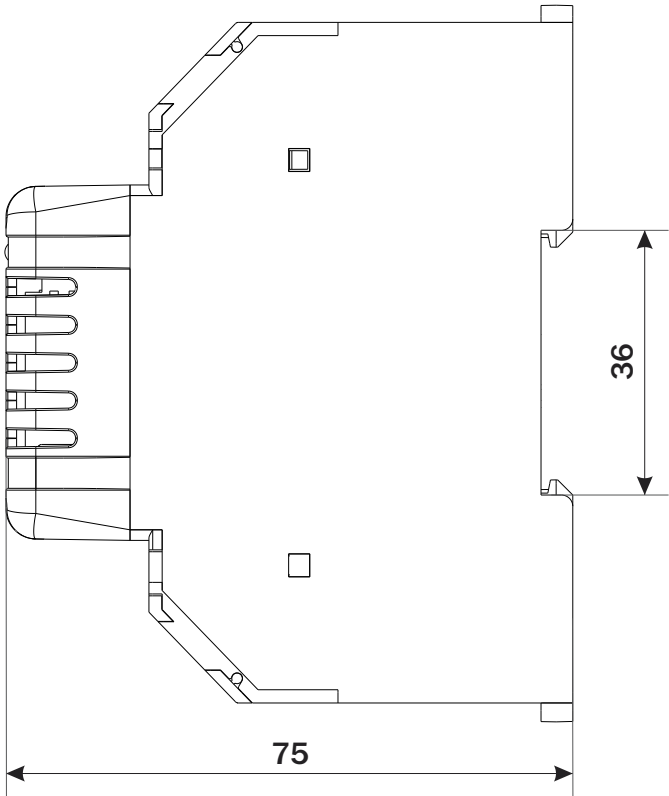
Special Purpose Machine

# Mechanical Dimensions



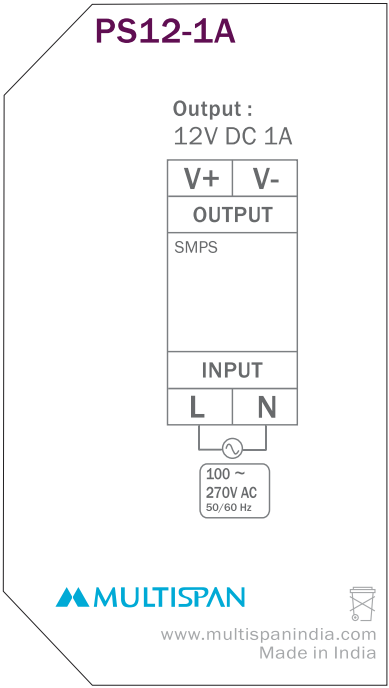
**FRONT VIEW**

All dimensions are in mm



**RIGHT SIDE VIEW**

# Connection Diagram



## Features

- 12W rated power
- Compact Size
- LED Indicate For Power ON
- Din Rail Mount

## Protection Available

- Overload, Output short circuit, Over Temperature

## Input Specification

Supply Voltage	100 to 270V AC±10%,(L-N)
Frequency Range	50/60 Hz
AC Current (TYP.)	0.450A@100V AC 0.24A@270V AC
Efficiency (TYP.)	>85%@230VAC
Start UP time	<1 sec@230VAC & <3 sec@100VAC (Full Load)

## Output Specification

Output Voltage	12V DC
Output Current	1A at 12V
Ripple & noise	<1% of V out
Line Regulation	±1%
Load Regulation	±1%
Hold UP Time	<60ms at 230VAC & >15ms at 100VAC (Full Load)

## LED Indication

LED 1	Power On
-------	----------

## Protection

Input Fused	2A -250V AC Internal
Output Over Load	110% of rated Output Current protection Protection Type :Hiccup mode;recover automatically after fault condition is removed
Output Short Circuit	Hiccup mode when output is shorted; Recovers automatically after fault condition is removed.
Over Temperature	Power supply shuts down when the temperature goes above specified limit; Turns on automatically after temperature goes back to Normal operating conditions.
Isolation between Input & Output	2.5KV

## Environmental

Working Temperature	-25 °C to 50 °C * De-rate output power at 3w/°C above +50 °C Ambient
Storage Temperature	-40 °C to 85 °C
Relative Humidity	95% RH Non-condensing

## Mechanical Characteristics

Mounting Type	DIN Rail Mount
Dimension (HxWxD) mm	90 x 22.5 x 75
Material	Body Polycarbonate (PC)
Terminal Screw Size	M3.5
Screw Torque (N.m)	0.5
Wire Gauge (AWG)	26-14
Weight (Approx) gms	Unpacked : 110 Packed : 130